

Technical Specifying Cubicle Express

Dimensions

- Overall height**
1950mm
- Floor clearance**
100mm
- Maximum depth**
1800mm

Performance

Available in MFC, Cubicle Express is suitable for dry environments, allowing you to specify with confidence.

MFC

For dry environments with low risk of vandalism. Panels are manufactured from 19mm nominal thickness high performance moisture-resistant melamine faced chipboard. Edges lipped with PVC.

Detailing

Panels and doors

19mm nominal thickness melamine faced chipboard (MFC).

Post-formed pilaster option: 19mm nominal overall thickness high pressure laminate (HPL) faced chipboard.

Vanities

19mm nominal thickness high pressure laminate (HPL) faced chipboard with 100mm front downstand and 75mm rear upstand.

Flashgaps

19mm nominal thickness melamine faced chipboard (MFC) in a choice of 6 colours.

Colour finish

Panels, doors and vanities
6 colours.

Cubicle hardware
Dark Grey ABS.

Edge treatment

Matching ABS lipping.

Headrail

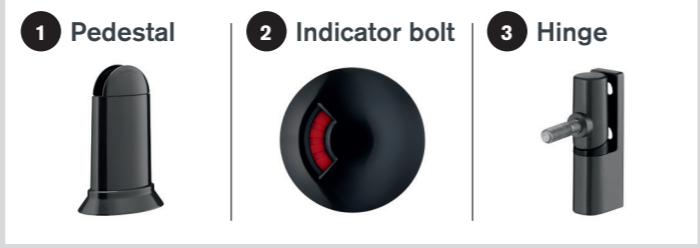
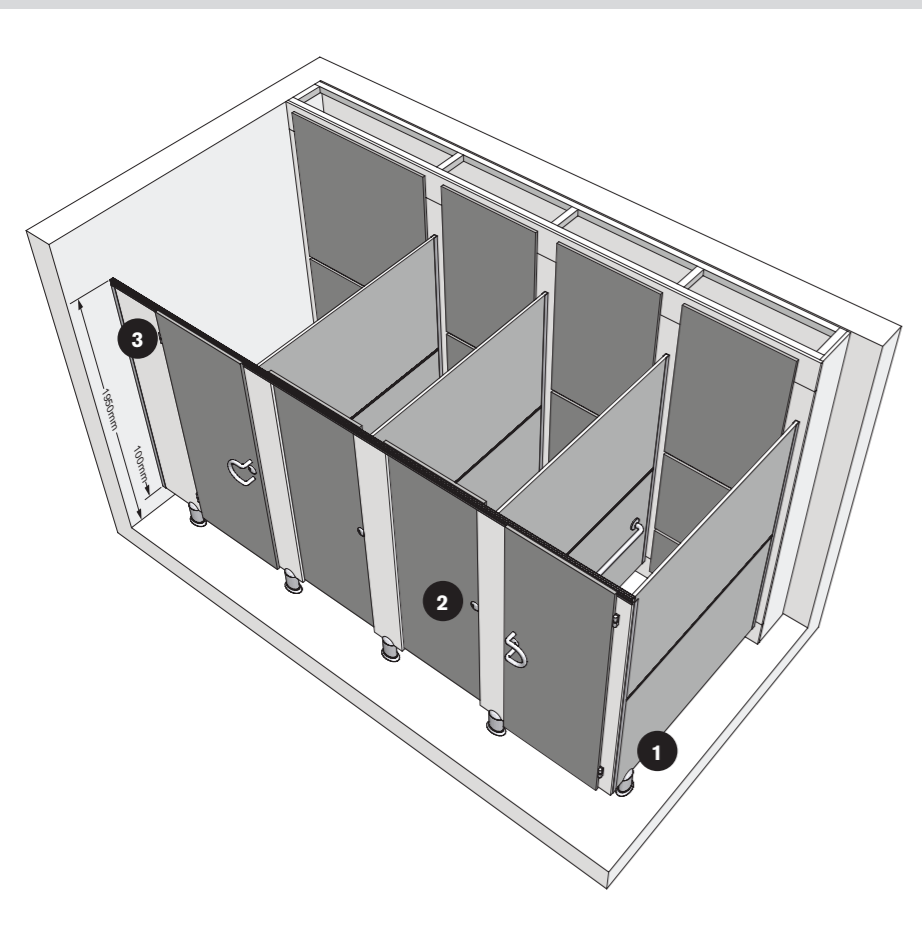
Dark Grey U-section aluminium.

Pedestal

Dark Grey ABS.

Accessories

Accessories are in pack C1F. See p140.



Duct panel packs

Duct panels

All framework by others. The installer needs to provide an appropriate timber-frame to support vanity units (typical example: 50 x 50mm treated softwood).

P1 Washbasin and WC panel pack

- 1 bottom panel 405 x 700mm
- 1 middle panel 670 x 700mm
- 1 top panel 1125 x 700mm
- 1 1mm PVC re-edging strip 2500mm
- 16 plastic clips and screws

P2 Urinal panel pack

- 1 bottom panel 225 x 700mm
- 1 middle panel 850 x 700mm
- 1 top panel 1125 x 700mm
- 1 1mm PVC re-edging strip 2500mm
- 16 plastic clips and screws

P3 Plain panel pack

- 1 plain panel 2250 x 700mm
- 1 1mm PVC re-edging strip 2500mm
- 10 plastic clips and screws

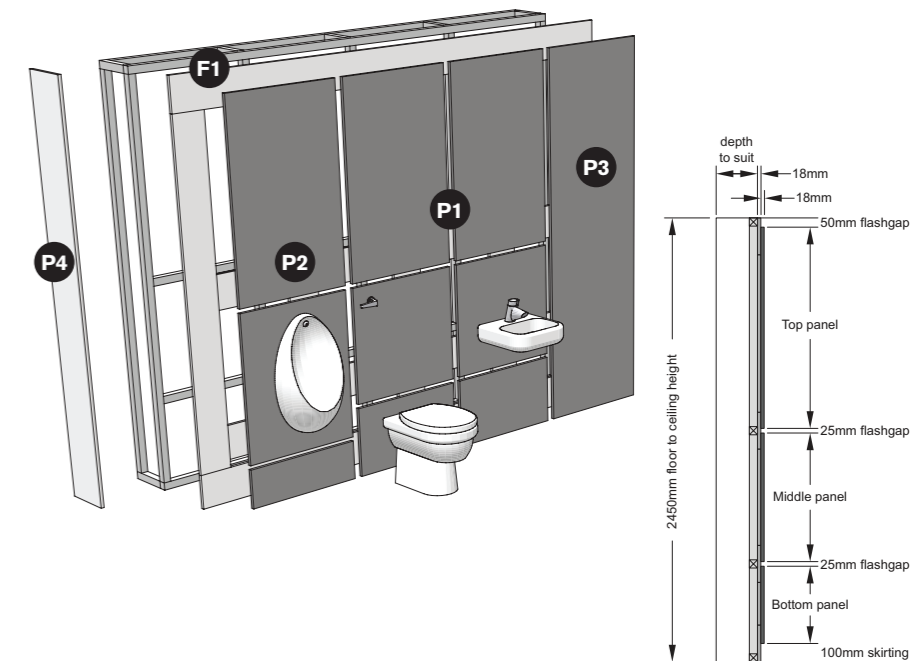
P4 Plain panel pack

- 1 plain 2250 x 300mm
- 1 1mm PVC re-edging strip 2500mm
- 10 plastic clips and screws

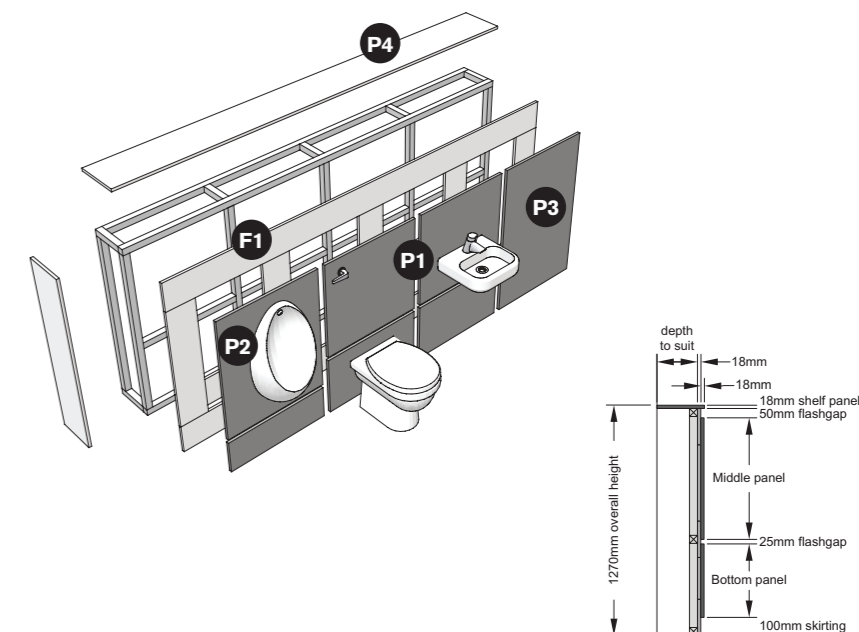
F1 Flashgap pack

- 2 flashgaps - unedged 2600 x 200mm
- 1 flashgap - edged 2600 x 201mm
- 16 shrinkage plates and screws

Duct panels - standard height



Duct panels - shelf height



Technical Specifying Cubicle Express

Cubicle packs

Cubicles

Wall channels accommodate out of line walls.

Door and wall channels allow for cutting without the need to re-edge.

Adjustments can be made to cubicles by reducing doors and partitions and fitting into full length door channels or wall channels as appropriate.

Please note: floor to ceiling post will be required when ordering free-standing cubicles.

C1 Door pack

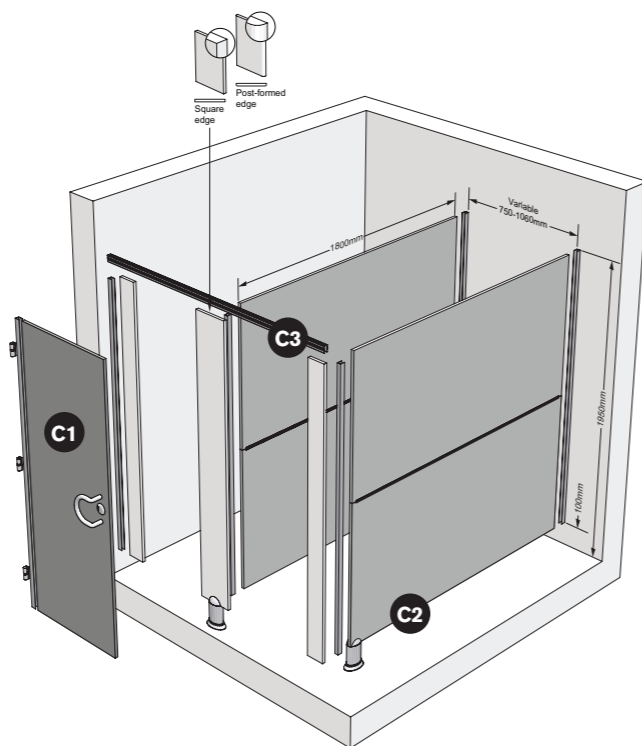
- 1 Outward opening/inward opening wheelchair, ambulant and enlarged.
- 1 door 1850 x 900mm
- 1 square edge pilaster 1850 x 220mm
- 1 square edge pilaster hinged 1850 x 115mm
- 1 square edge pilaster no hinge 1850 x 115mm
- 1 square edge pilaster for enlarged cubicle drilled for hinge 1850 x 400mm
- 3 UPVC door cap/wall channels 1850mm
- 1 1800mm aluminium headrail in Dark Grey

(Door pack also available with post-formed pilasters - C1P)

C1F Fittings pack

- 1 indicator bolt
- 1 outward keep
- 3 hinges
- 1 toilet roll holder
- 1 coat hook
- 2 pedestals
- 2 buffers
- Screws, plugs and channel through fixings

Cubicles



C2 Partition pack

- 2 partition 'halves' 925 x 1800mm
- 1 UPVC H-section
- 1 UPVC door cap/wall channel 1850mm

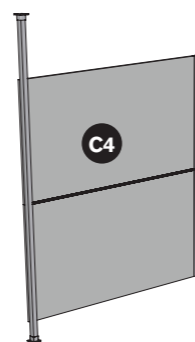
C3 Inline pack

- 1 large pilaster 1850 x 900mm
- 1 square edge pilaster drilled hinge 1850 x 550mm
- 1 1800mm aluminium headrail in Dark Grey

(Inline pack also available with post-formed pilasters - C3P)

C4 Floor to ceiling post

- 1 floor to ceiling post 3750mm
- 2 flanges
- Screws, plugs and channel through bolt fixings



GR1 Ambulant/enlarged grab rail pack

- 3 grab rails, White powder coated 600mm
- 2 door opening handles Dark Grey powder coated
- 1 fixing pack complete

Children's door and vanity unit pack

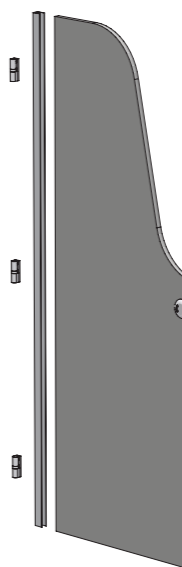
Children's doors

C1C Children's door pack

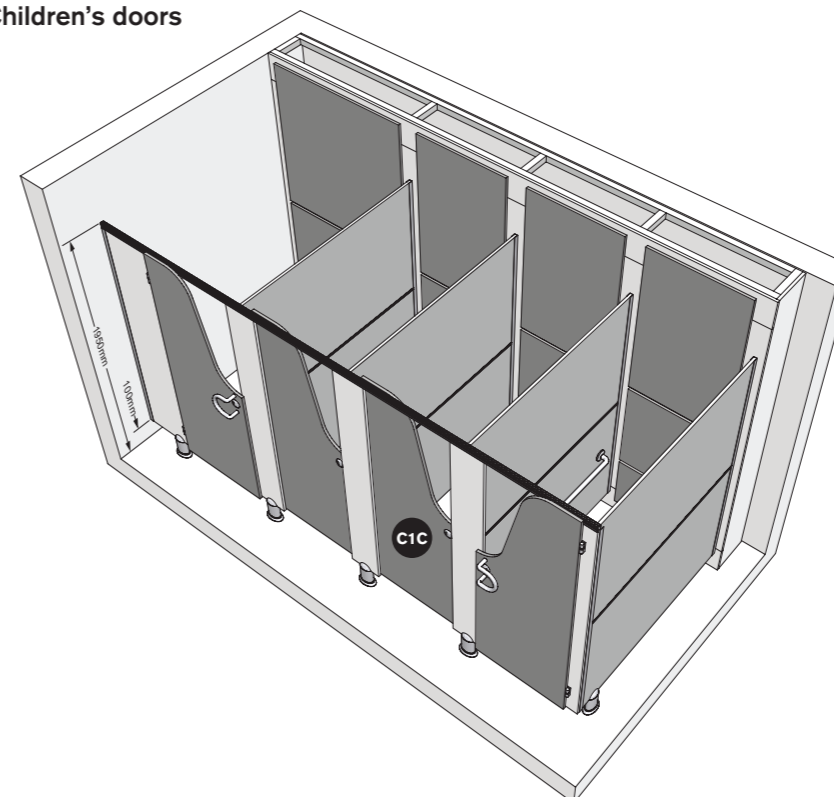
- 1 door 1850 x 900mm
- 1 square edge pilaster 1850 x 220mm
- 1 square edge pilaster hinged 1850 x 115mm
- 1 square edge pilaster no hinge 1850 x 115mm
- 1 square edge pilaster for enlarged cubicle drilled for hinge 1850 x 400mm
- 3 UPVC door cap/wall channels 1850mm
- 1 1800mm aluminium headrail in Dark Grey

(Children's door pack also available with post-formed pilasters - C1CP)

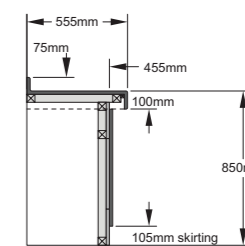
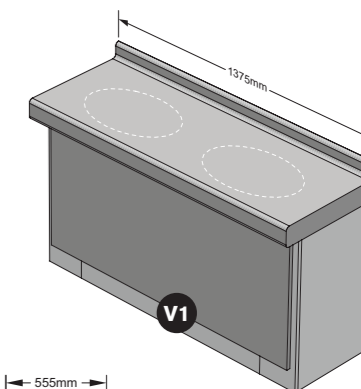
Children's doors



Children's doors



Vanities



Vanities

All framework by others. The installer needs to provide an appropriate timber-frame to support vanity units (typical example: 50 x 50mm treated softwood).

Longer vanities can be achieved by joining two lengths.

The return end panel for vanity units will be supplied oversized to enable the installer to make onsite adjustments.

V1 Vanity unit pack

- 1375 x 555mm top post-formed into a 100mm downstand and a 75mm high upstand blocked both ends
- 1 1275 x 645mm under panel
- Clips and screws
- 3 unedged flashgaps 1300 x 200mm
- Fixing brackets and screws
- 2 loose return ends